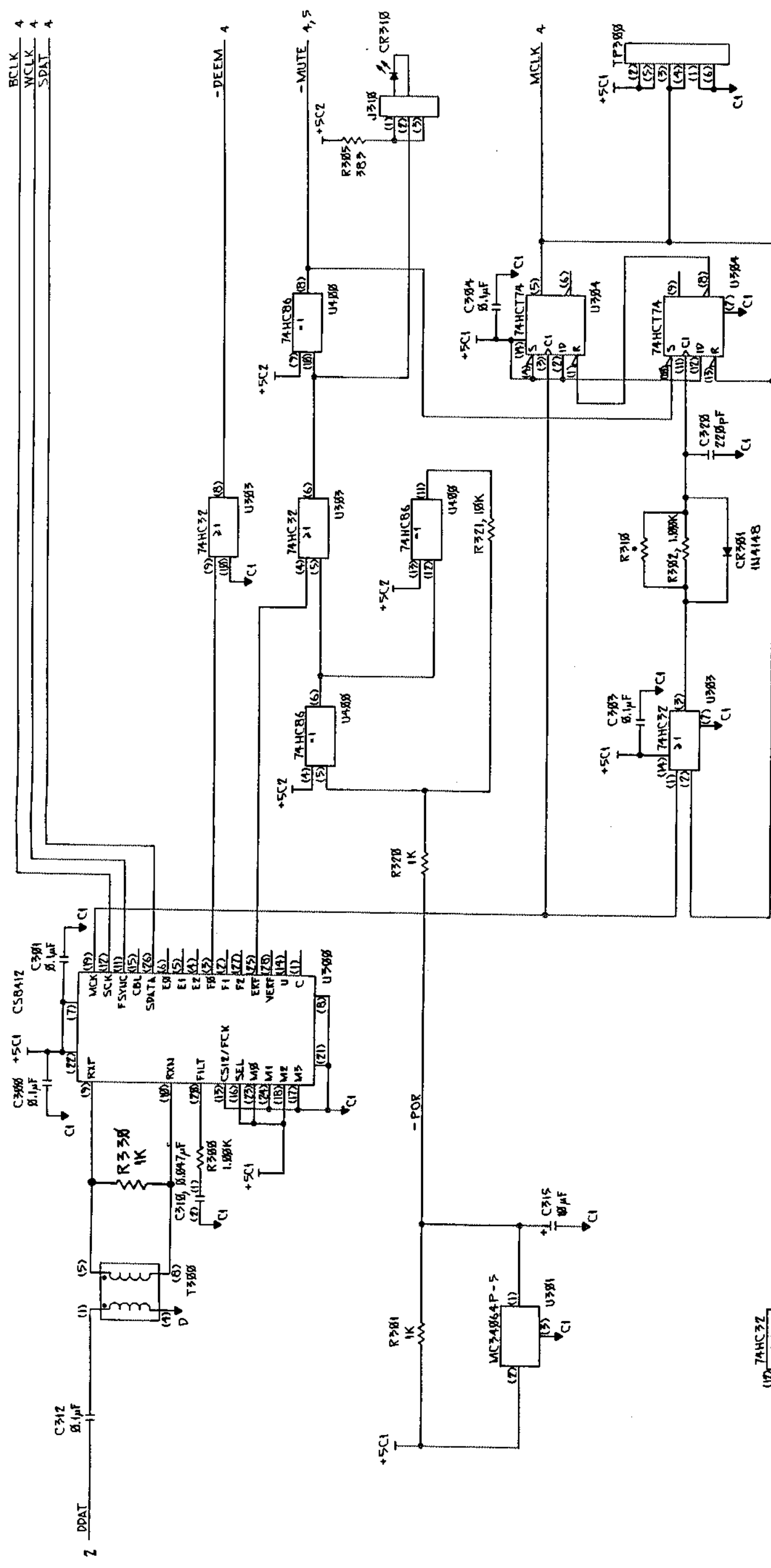


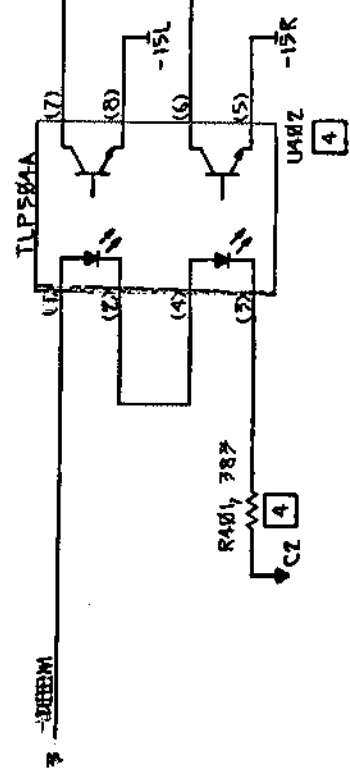
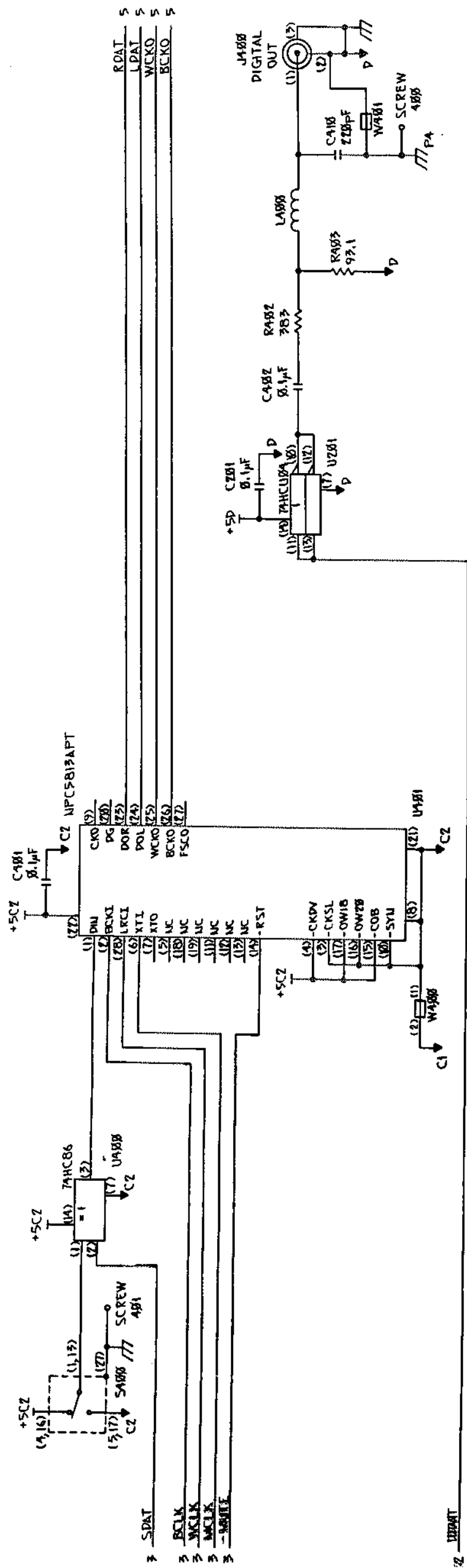
ECO NO.	REV	DATE	DRAWN	CHECKED	RELEASED:	USED ON
	1	5/28/99	AKTER			
	2	7/21/99				
	3	7/15/99				
	4	7/15/99				
	5	5/10/99				
	6	6/22/99				
	7	7/1/99				

ULTRAAANALOG, INC.
 Advancing the Analog Art.
 TITLE: OMICRON1 INPUT MULTIPLEXING
 DRAWING NO.: OMICRON1/D5CH
 SHEET 2 OF 5



ECO NO.	REV	DATE	DRAWN	CHECKED	RELEASED	USED ON
1		7/20/99	AKTEK			
2		7/21/99				
3		9/15/99				
4		10/9/99				
5		10/9/99				
6		10/9/99				
7		11/5/99				

RELEASED: **ULTRANALOG, INC.**
 Addressing the Analog Era.
 TITLE: **OMICRON1 DATA DECODING AND DUTY CYCLE RECOVERY**
 DRAWING NO. **OMICRON1/PSCH** SHEET 3 OF 5

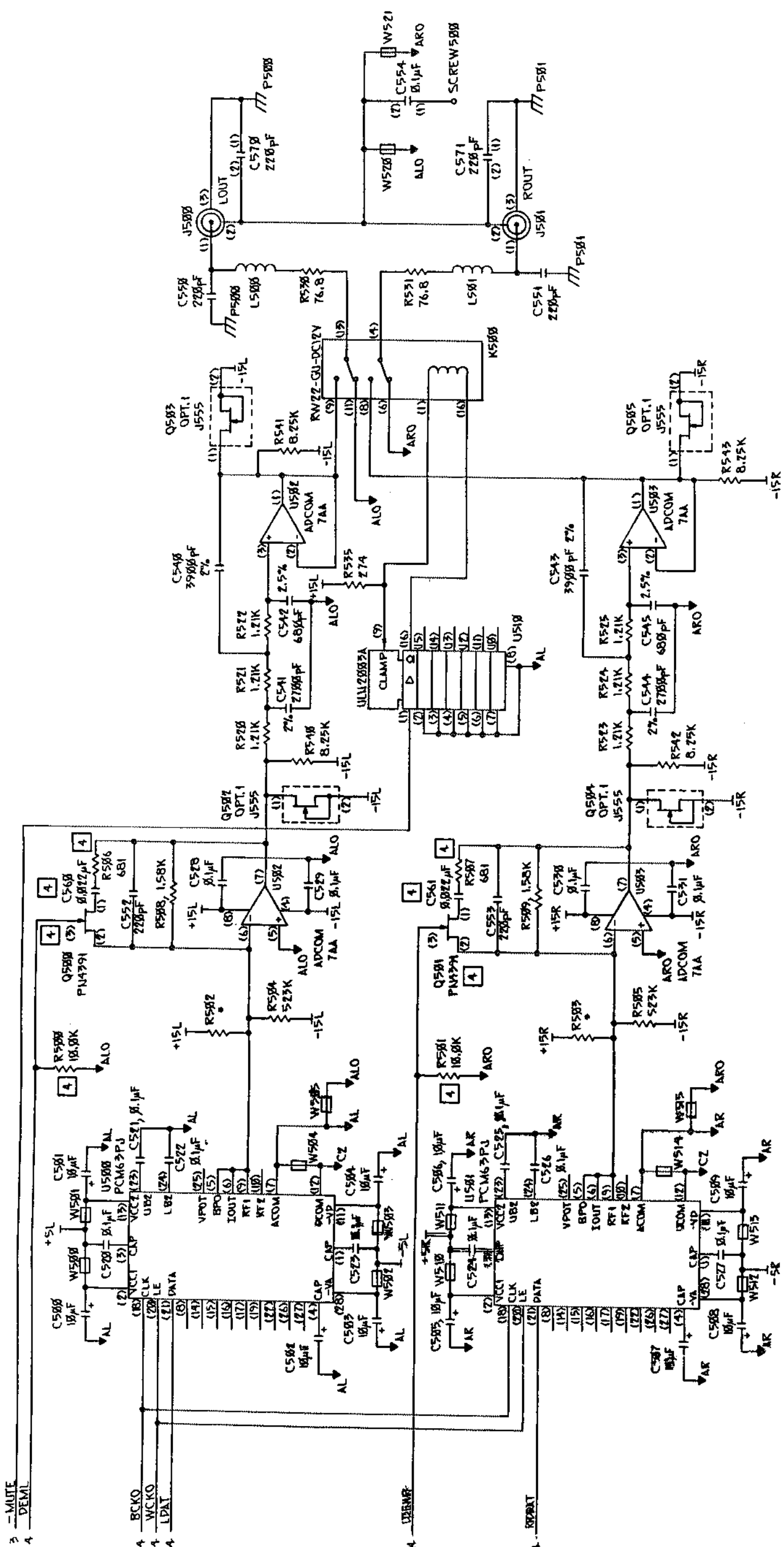


DEMIL 5

DEMIL 5

ECO NO.	REV	DATE	DRAWN	CHECKED	RELEASED:	USED ON
1	1	5/21/77	AKTER			
2	2	7/21/77				
3	3	7/14/77				
4	4	7/14/77				
5	5	6/10/77				
6	6	6/10/77				
7	7	6/10/77				

RELEASED: **ULTRANALOG, INC.**
Advancing the Analog Art.
 TITLE: **OMICRONI OVERSAMPLING FILTER AND DIGITAL OUT**
 DRAWING NO: **OMICRONI/PSCH**
 SHEET 4 OF 5



3 - MUTE
4 - DEMIL

4 - BCKO
4 - WCKO
4 - LPAT

4 - DIBBAR

4 - RRRBAT

ECO NO.	REV.	DATE	DRAWN	CHECKED	RELEASED	USED ON
1	1	9/26/79	ARTER			
2	2	7/21/79				
3	3	7/15/79				
4	4	7/15/79				
5	5	10/92				
6	6	8/93				
7	7	1/94				

ULTRALANALOG, INC
Address: The Analog Art.

TITLE
OMICRON ANALOG OUTPUT

DRAWING NO. OMCRON/D5CH SHEET 5 OF 5